



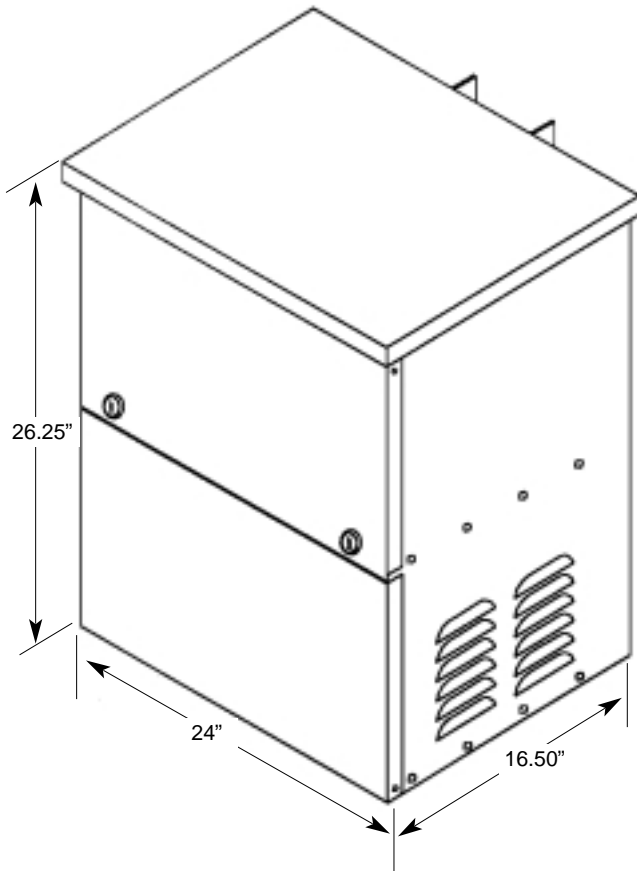
Moore’s Pole Mount Power Supply Cabinets accommodate power modules and batteries in ventilated, durable, aluminum, lockable enclosures. Prewiring option packages are available for more cost efficient field installations. Moore’s advance manufacturing technology allows for flexibility in design.

- Light weight Aluminum pole mounted cabinet for one power module and three batteries
- 270 lb rated drawer slides support smooth operating battery drawers
- An available integral ladder support improves safety for technicians
- All levels of pre-wiring are available to economize field installation
- Passive air flow is provided by louvers engineered for optimum ventilation
- Moore’s modern painting facility provides the industry’s best powder coating finishes

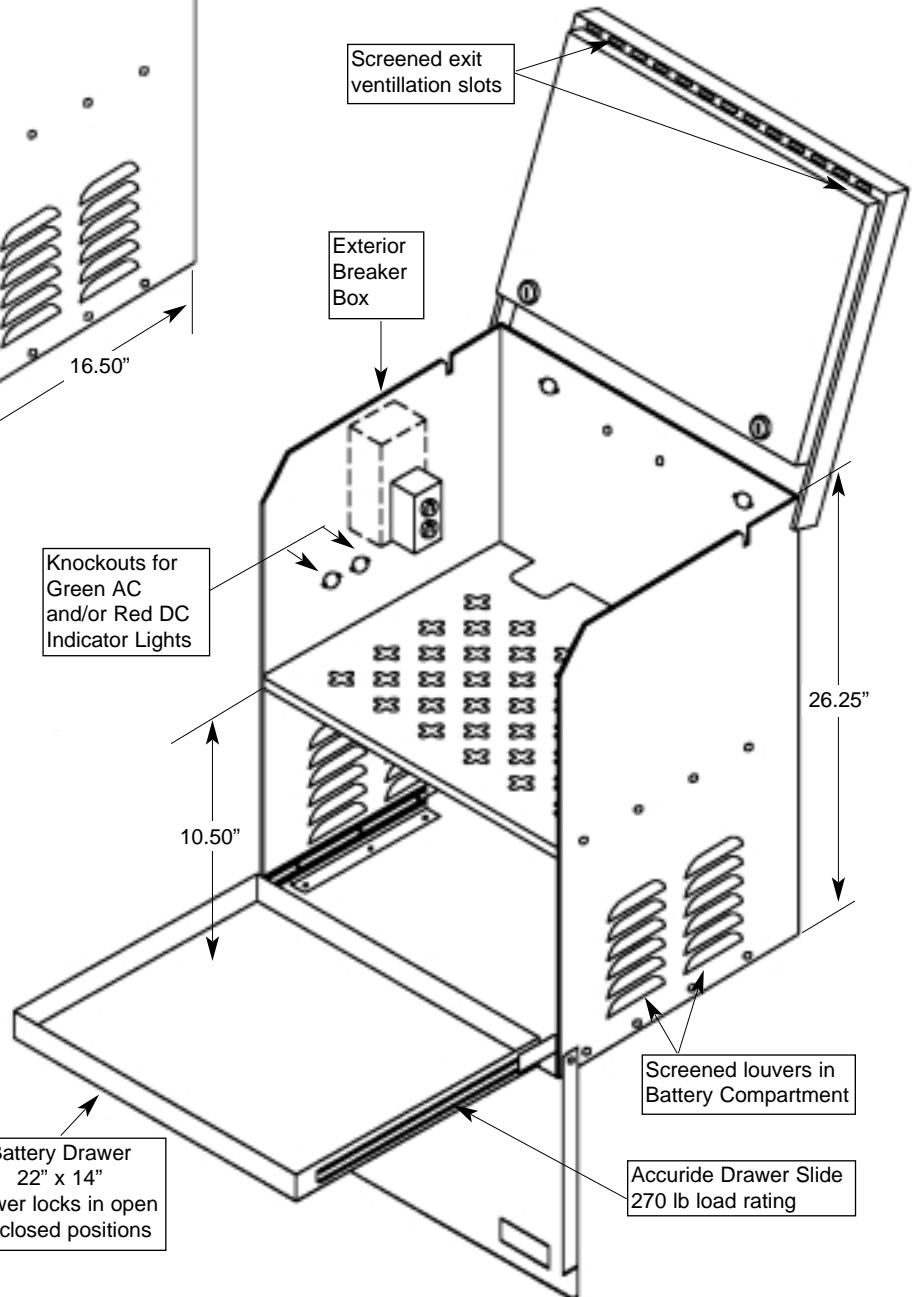
ORDER INFORMATION

PART#	DESCRIPTION	Dimensions			WT/UNIT
		W"	H"	D"	
MPCPM	Moore Pole Mount Power Supply Cabinet	16	26	24	67 lbs.
MPCPM-LS	Moore Pole Ladder Support	7	30	16	11 lbs.

TECHNICAL DATA AND DRAWINGS



- .080; .125; .188 Aluminum
- Stainless Steel Assembly Hardware
- Top Hinged Folding Cover
- Lower Hinged Battery Cover
- Fully Screened Ventilation
- Exterior Breaker Box included
- Prewire option available



Ask Moore about
Aerial Installation Service
800-769-1441